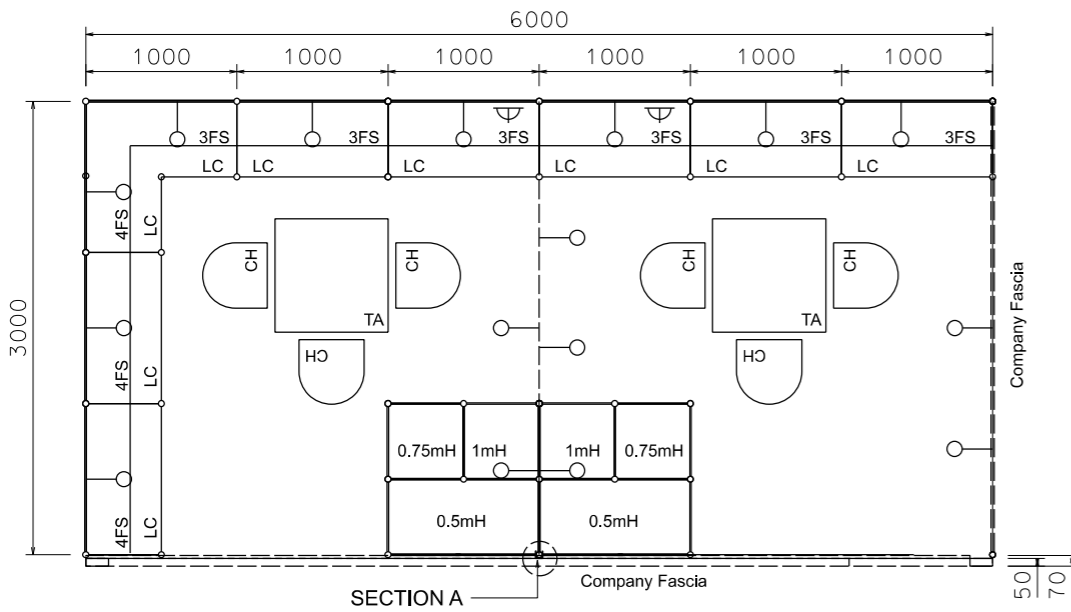
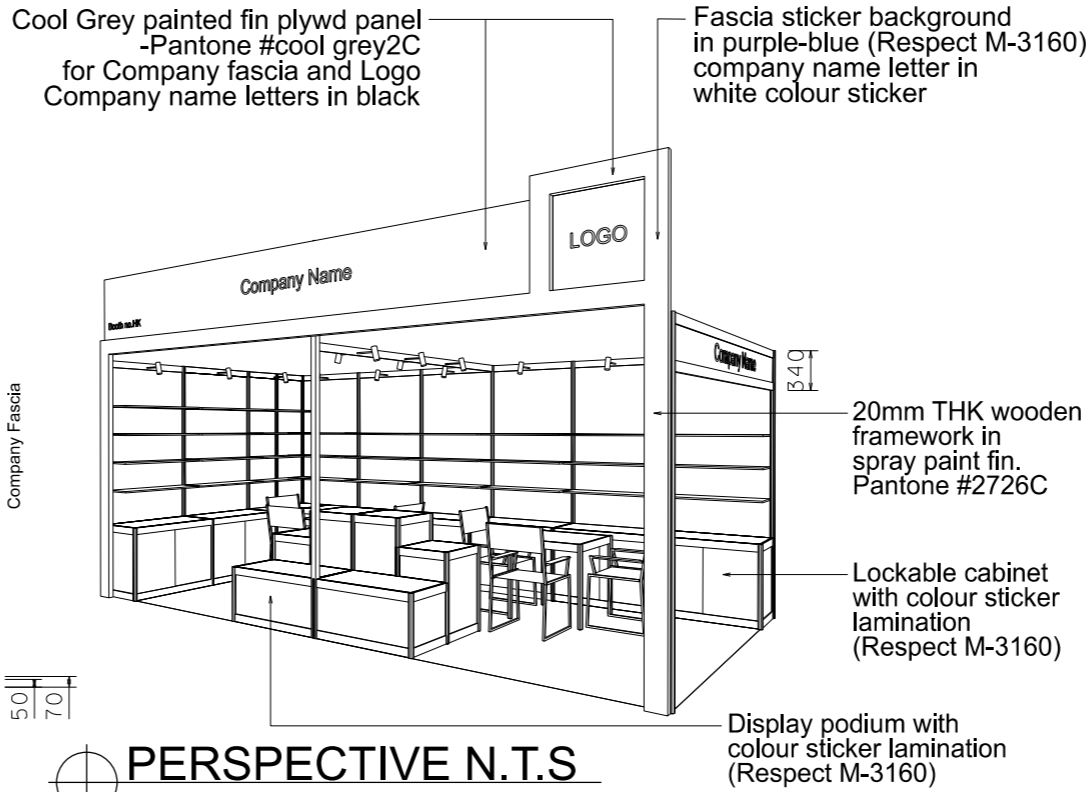


Premium Booth 6mW x 3mD Right Corner Booth

SD-B-18_R-Cnr_6mW x 3mD x 3.5mH



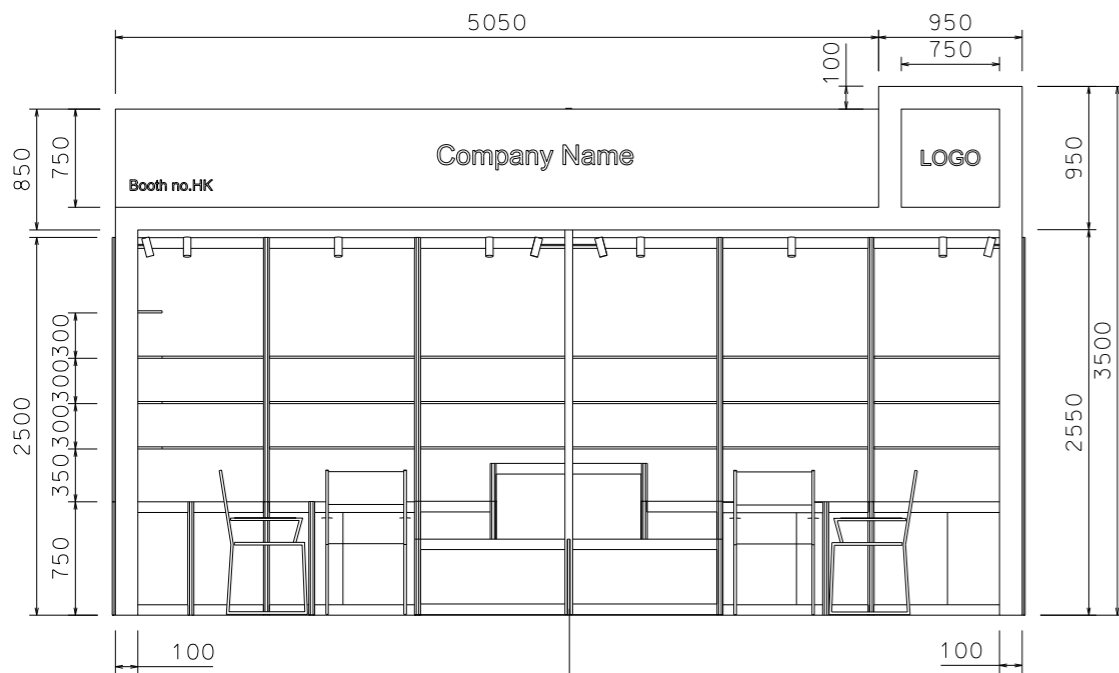
PLAN



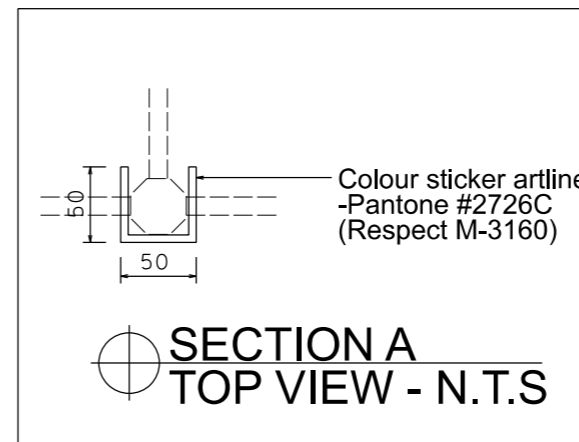
PERSPECTIVE N.T.S



COLOUR PERSPECTIVE N.T.S



FRONT ELEVATION



SECTION A TOP VIEW - N.T.S

BOOTH SPECIFICATION		QTY
	Lockable cabinet in purple-blue sticker lamination (1mL x 0.5mD x 0.75mH)	8.5
	Wooden shelf (flat) (1mL x 0.3mD)	30
	0.5mX 0.5mX 1mH display podium in blue sticker lamination	2
	0.5mX 0.5mX 0.75mH display podium in blue sticker lamination	2
	1mX 0.5mX 0.5mH display podium in blue sticker lamination	2
	Square meeting table (0.7m X0.7m x 0.75mH)	2
	Black leather chair	6
	Longarmed spotlight w/13 watt LED lamp (yellow)	16
	800w Square pin power socket	2
	Company logo	1

FILE PATH - L:\Local Fair Premium Booth 2011\SD\SD-Layouts(800w)\13W Lamp\SD-B layout(600w)\SD-B-2d-layout(600w).dgn



NOTES

UNLESS OTHERWISE SPECIFIED ALL DIMENSIONS ARE IN MM.

.....

REVISION

09-02-2009
 14-07-2009
 20-01-2010
 07-04-2011
 29-11-2016

DATE: 29-11-2018

SCALE: 1 : 50 (A3)

DRAWN BY: ..

CHECKED BY:

TITLE

Premium Booth
 SD-B-18
 R-corner

PROJECT

PREMIUM BOOTH
 6m x 3m

DATE: XXXXXXXX

SHEET

SD-B05b