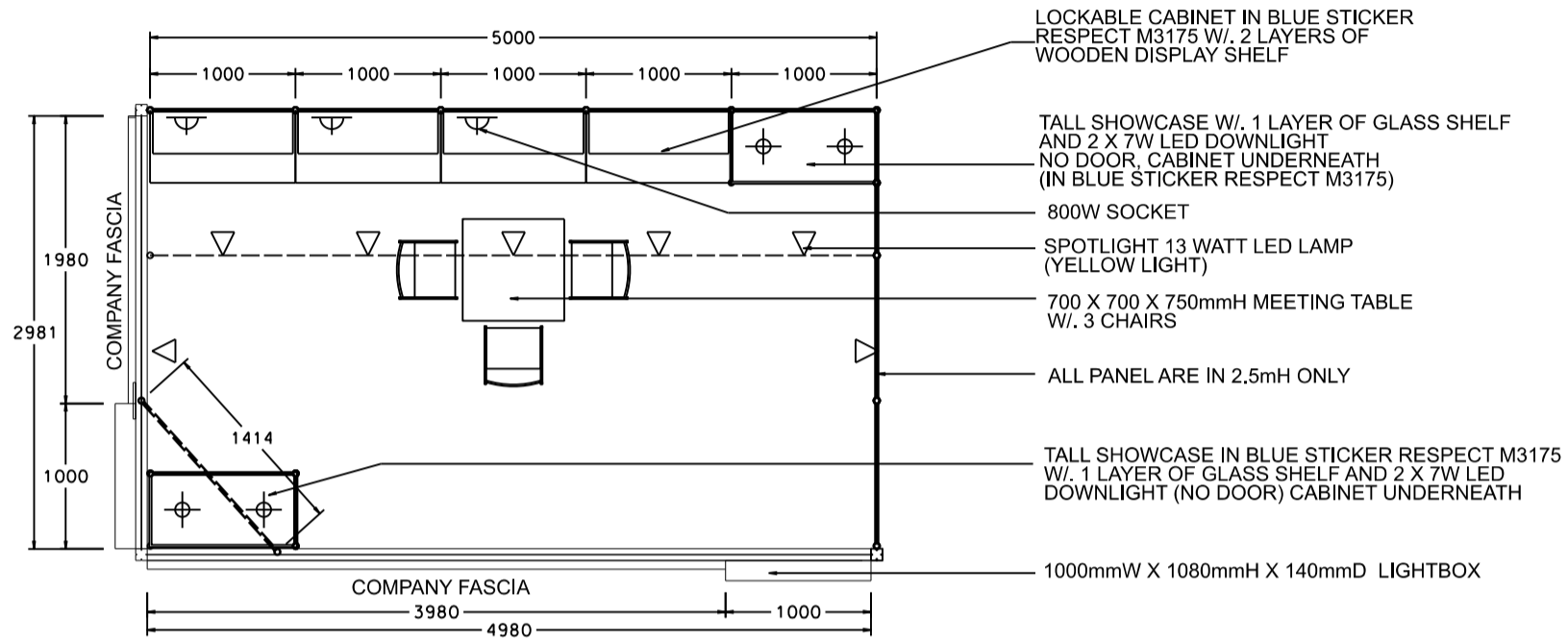


OPTION C (TALL SHOWCASE - BLUE)

5M x 3M Hall of Fame Booth (Left Corner)

五米乘三米品牌薈萃廊特級攤位 (左邊角位)



PLAN

CONCEALED LIGHT TROUGH TO HIGHLIGHT COMPANY FASCIA (IN BLUE COLOUR, RESPECT M3175/PANTONE 633c)



PERSPECTIVE

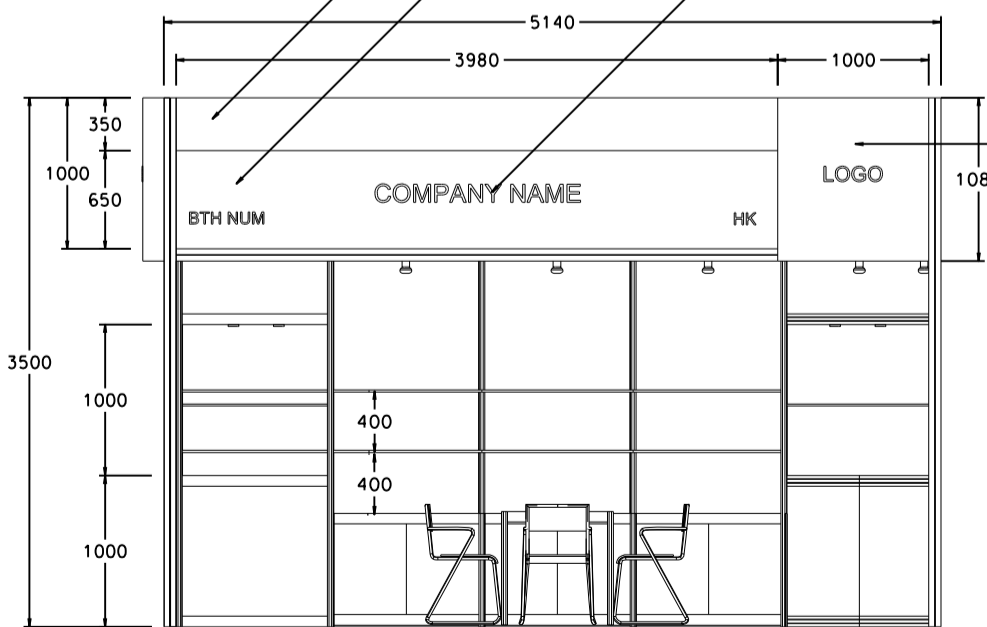
TALL SHOWCASE IN BLUE STICKER RESPECT M3175 W/ 1 LAYER OF GLASS SHELF AND 2 X 7W LED DOWNLIGHT (NO DOOR) CABINET UNDERNEATH

STICKER RESPECT M3175/PANTONE 633c (BLUE COLOR)

FASCIA BACKGROUND IN LIGHT BLUE COLOUR, OR056/PANTONE 298C

CO. NAME LETTERS IN WHITE

1000mmW X 1080mmH X 140mmD LIGHTBOX



ELEVATION

BOOTH SPECIFICATIONS		QTY.
	LOCKABLE CABINET 1000W x 500D x 750H mm	4
	WOODEN DISPLAY SHELF FLAT (3000W X 300D mm)	2
	WOODEN DISPLAY SHELF FLAT (1000W X 300D mm)	2
	TALL SHOWCASE W/ 1 LAYER OF GLASS SHELF AND 2 X 7W LED DOWNLIGHT (NO GLASS DOOR), CABINET UNDERNEATH	2
	800W SOCKET	3
	SPOTLIGHT 13 WATT LED LAMP (YELLOW LIGHT)	7
	700W x 700D x 750H mm MEETING TABLE	1
	BLACK LEATHER CHAIR	3
	CEILING BEAM	5M
	RUBBISH BIN & CARPET (15sqm.)	

*The Hong Kong Trade Development Council reserves the right to change the configuration if necessary.

*如有需要，香港貿易發展局有權更改攤位結構。