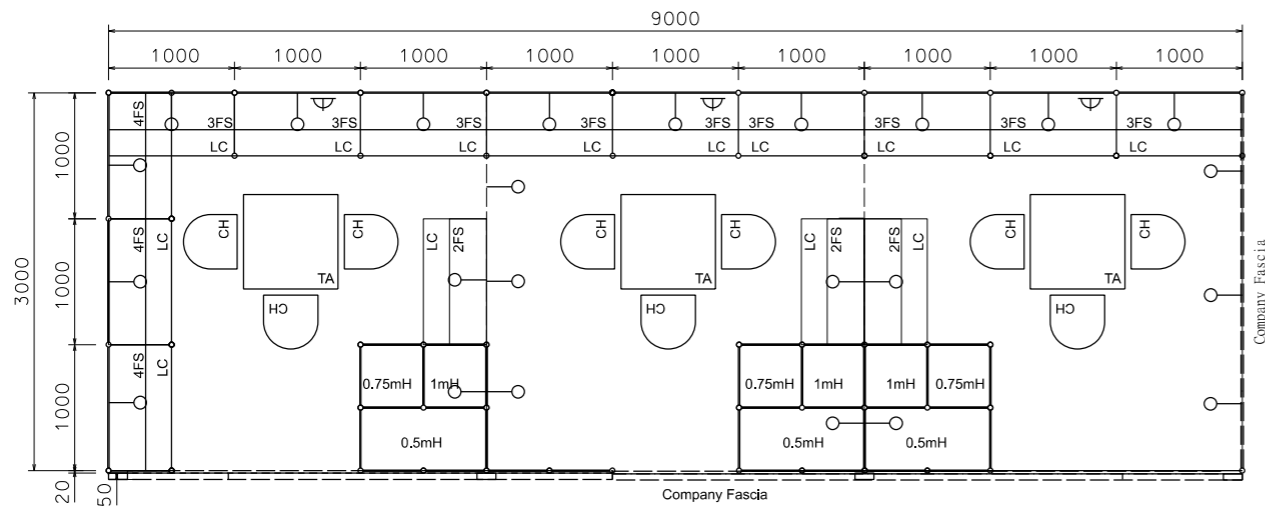
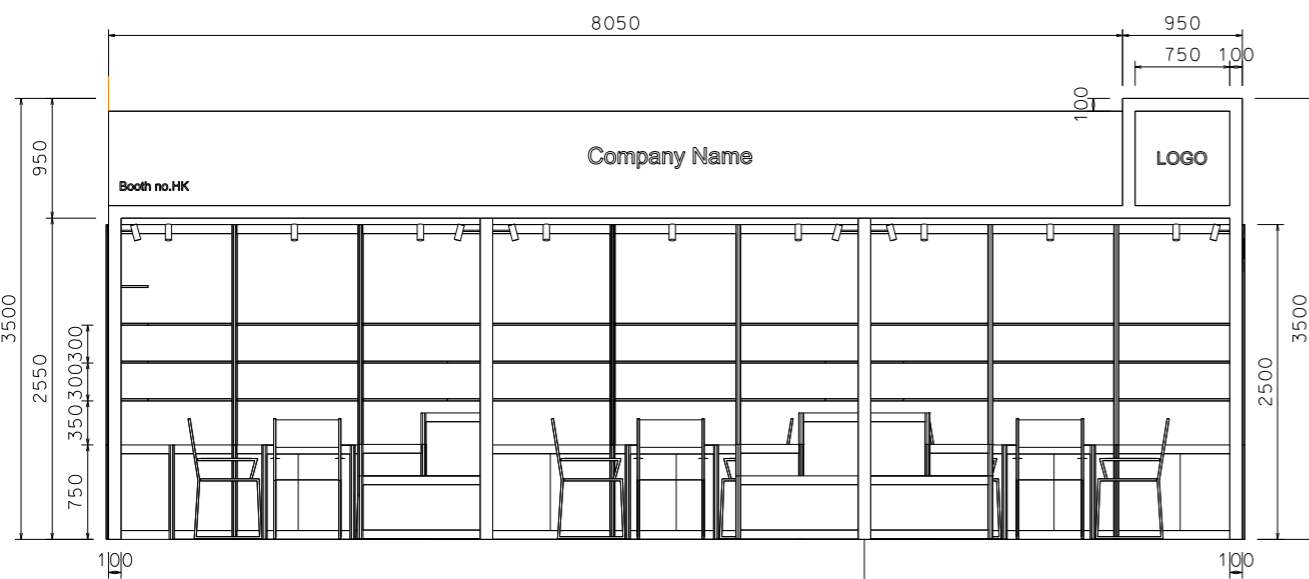


Premium Booth 9mW x 3mD Right Corner Booth

SD-B-27 R-Cnr
9mW x 3mD x 3.5mH



PLAN



FRONT ELEVATION

Cool Grey painted
fin plywd panel
-Pantone #cool grey2C
for Company fascia and Logo
Company name letters in black



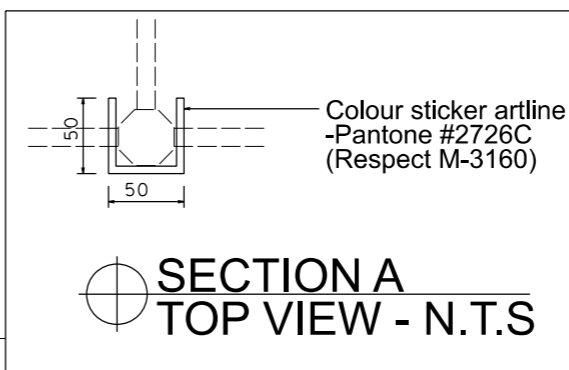
COLOUR PERSPECTIVE N.T.S

Fascia sticker
background
in purple-blue
(Respect M-3160)
company name letter in
white colour sticker

PERSPECTIVE N.T.S

Display podium with
colour sticker lamination
(Respect M-3160)

20mm THK wooden
framework in spray paint fin.
Pantone #2726C



SECTION A
TOP VIEW - N.T.S

BOOTH SPECIFICATION		QTY
	Lockable cabinet in purple-blue sticker lamination (1mL x 0.5mD x 0.75mH)	14.5
	Wooden shelf (flat) (1mL x 0.3mD)	45
	0.5mX 0.5mX 1mH display podium in blue sticker lamination	3
	0.5mX 0.5mX 0.75mH display podium in blue sticker lamination	3
	0.5mX 1mX 0.5mH display podium in blue sticker lamination	3
	Square meeting table (0.7m X0.7m x 0.75mH)	3
	Black leather chair	9
	Longarmed spotlight w/13 watt LED lamp (yellow)	24
	800w Square pin power socket	3
	Company logo	1

FILE PATH - L:\Local Fair Premium Booth 2011\SD-Layouts(800w)\SD-B layout(800w)\SD-B-2dLayout(800w).dgn



NOTES UNLESS OTHERWISE SPECIFIED ALL DIMENSIONS ARE IN MM.

.....
.....
.....

.....
.....
.....

REVISION
21-08-2015
29-11-2018

DATE: 29-11-2018

SCALE: 1 : 60 (A3)

DRAWN BY: ..

CHECKED BY:

TITLE

Premium Booth
SD-B-27
RIGHT CORNER

PROJECT

PREMIUM BOOTH
9m x 3m

DATE: XXXXXXXX

SHEET

SD-B12B