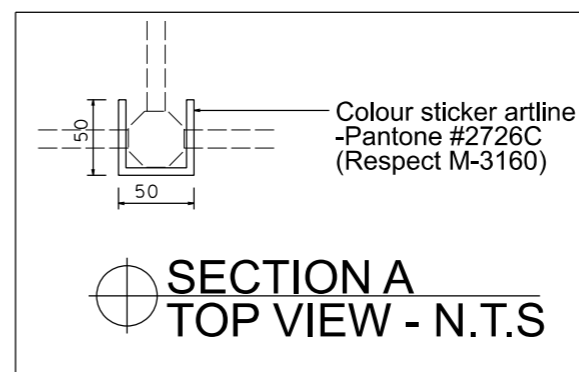
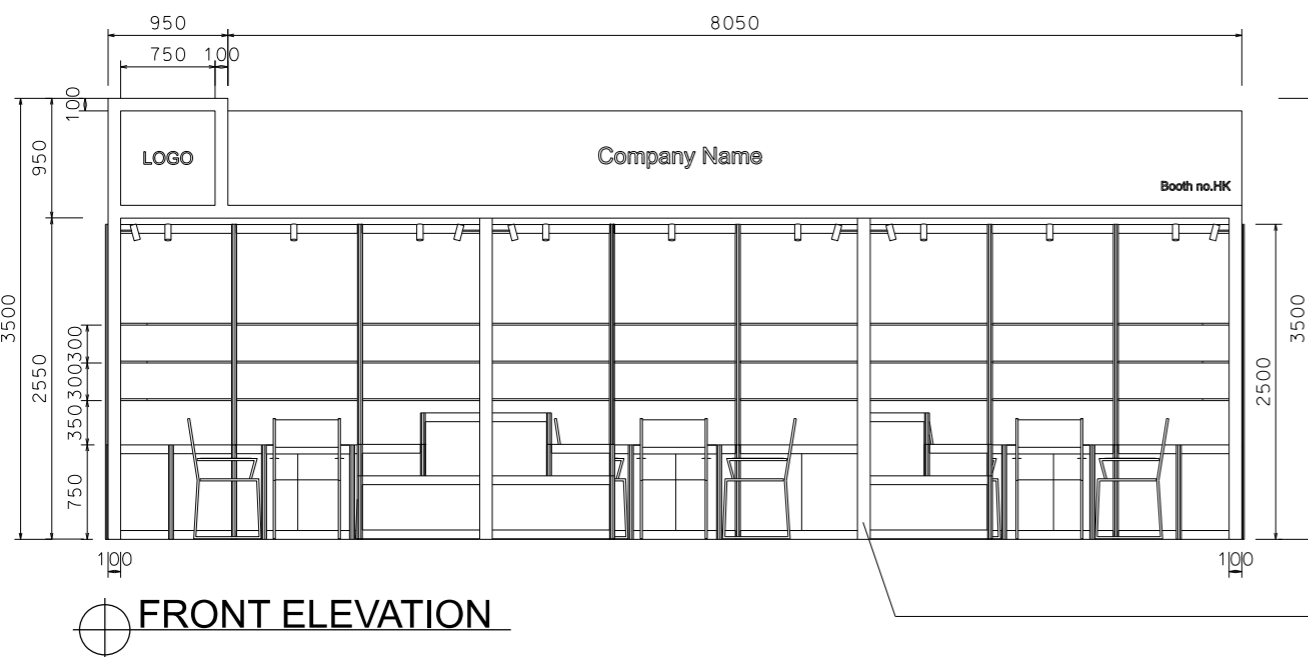
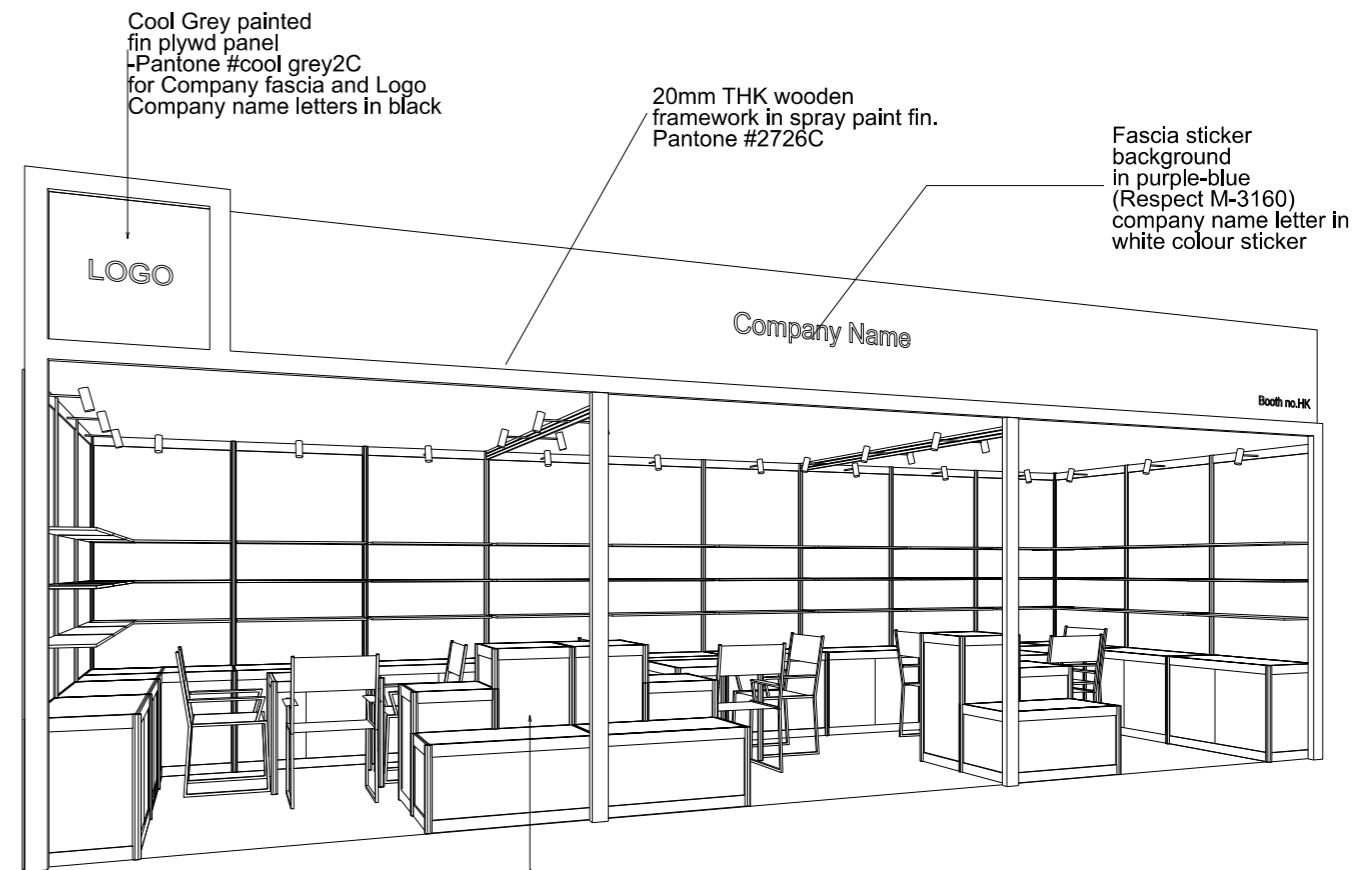
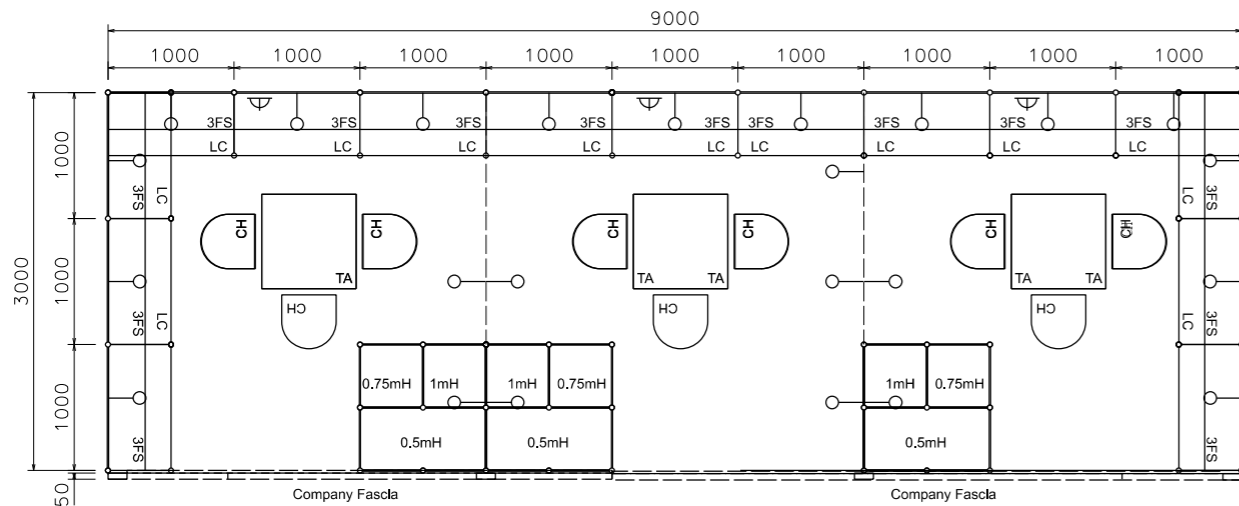


Premium Booth 9mW x 3mD

SD-B-27_ 9mW x 3mD x 3.5mH



BOOTH SPECIFICATION		QTY
	Lockable cabinet in purple-blue sticker lamination (1mL x 0.5mD x 0.75mH)	14
	Wooden shelf (flat) (1mL x 0.3mD)	45
	0.5mX 0.5mX 1mH display podium in blue sticker lamination	3
	0.5mX 0.5mX 0.75mH display podium in blue sticker lamination	3
	0.5mX 1mX 0.5mH display podium in blue sticker lamination	3
	Square meeting table (0.7m X 0.7m x 0.75mH)	3
	Black leather chair	9
	Longarmed spotlight w/13 watt LED lamp (yellow)	24
		3
	Company logo	1

FILE PATH - L:\Local Fair Premium Booth 2011\SD-Layouts(800w)\SD-B layout(800w)\SD-B-2dLayout(800w).dgn

<p>香港貿發局</p>	<p>NOTES UNLESS OTHERWISE SPECIFIED ALL DIMENSIONS ARE IN MM.</p> <p>.....</p> <p>.....</p> <p>.....</p>	<p>REVISION</p> <p>26-07-2017 .</p> <p>29-11-2018</p>	<p>DATE: 29-11-2018</p>	<p>TITLE</p> <p>Premium Booth SD-B-27</p>	<p>PROJECT</p> <p>PREMIUM BOOTH 9m x 3m</p> <p>DATE: XXXXXXXX</p>	<p>SHEET</p> <p>SD-B120</p>
			<p>SCALE: 1 : 60 (A3)</p>			